

PATENT ABSTRACTS OF JAPAN

(11)Publication number : 2002-007049

(43)Date of publication of application : 11.01.2002

(51)Int.Cl. G06F 3/03
G06F 1/16
G06F 3/02
G06F 3/023

(21)Application number : 2000-183227 (71)Applicant : SHARP CORP

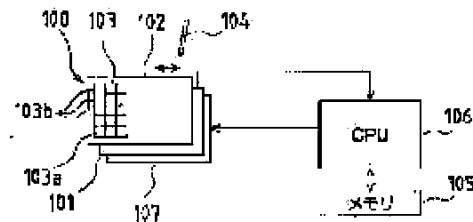
(22)Date of filing : 19.06.2000 (72)Inventor : SUZUKI KOJI

(54) INPUT DEVICE

(57)Abstract:

PROBLEM TO BE SOLVED: To provide an input device in which both an input with a pen and an input with an operation button can be performed by utilizing a tablet and also any of three or more input modes can be selected.

SOLUTION: When a slide body 102 is moved to the position of a 1st input mode or the position of a 2nd input mode and an operation button 103a is pressed down, the position of the 1st or 2nd input mode is detected with the pressure sensitive tablet 101 and the 1st input mode or the 2nd input mode is set. When the 1st input mode is set, a CPU 106 retrieves the table of the 1st input mode and discriminates an operation button corresponding to a position indicated by a detection signal of the tablet 101 every time the operation button is pressed down. When the 2nd input mode is similarly set, an operation button that is pressed down is discriminated by retrieving the table of the 2nd input mode.



(19) 日本国特許庁 (J P)

(12) 公開特許公報 (A)

(11) 特許出願公開番号
特開2002-7049
(P2002-7049A)

(43) 公開日 平成14年1月11日 (2002.1.11)

(51) Int.Cl. ⁷	識別記号	F I	テ-マコ-ト*(参考)
G 0 6 F 3/03	3 1 0	G 0 6 F 3/03	3 1 0 C 5 B 0 2 0
	3 8 0		3 8 0 G 5 B 0 6 8
1/16		3/02	3 1 0 A
3/02	3 1 0		3 1 0 H
		3/023	3 3 0 Z

審査請求 未請求 請求項の数 9 O L (全 13 頁) 最終頁に続く

(21) 出願番号 特願2000-183227(P2000-183227)

(22) 出願日 平成12年6月19日(2000.6.19)

(71) 出願人 000005049

シャープ株式会社

大阪府大阪市阿倍野区长池町22番22号

(72) 発明者 鈴木 浩二

大阪府大阪市阿倍野区长池町22番22号 シ

ャープ株式会社内

(74) 代理人 100075502

弁理士 倉内 義朗

Fターム(参考) 5B020 AA15 CC06 DD02 FF17

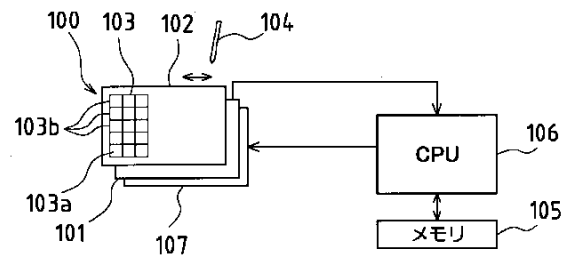
5B068 AA22 AA25 AA32 AA33 AA36

BB01 BD02 BD17 BD20 CC06

CD06

(54) 【発明の名称】 入力装置

(57)



1

(2)

2

10

20

30

40

50

2

3

(3)

4

10

20

30

40

50

3

(4)

5

6

10

20

30

40

50

4

(5)

7

8

10

20

30

40

50

5

(6)

9

10

10

20

30

40

50

6

11

(7)

12

10

20

30

40

50

7

(8)

13

14

10

20

30

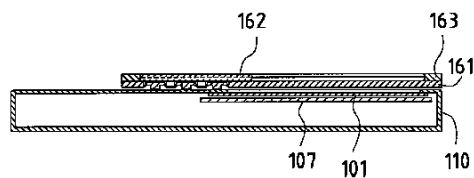
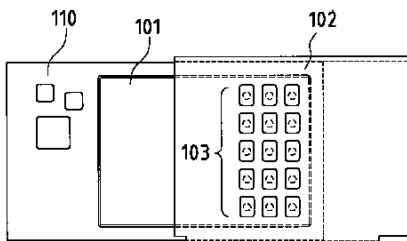
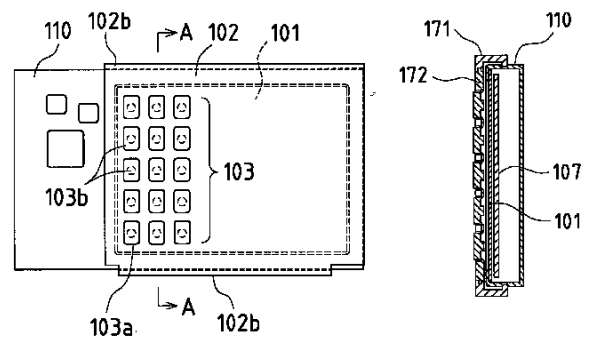
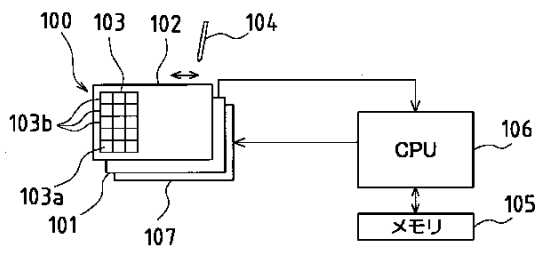
40

50

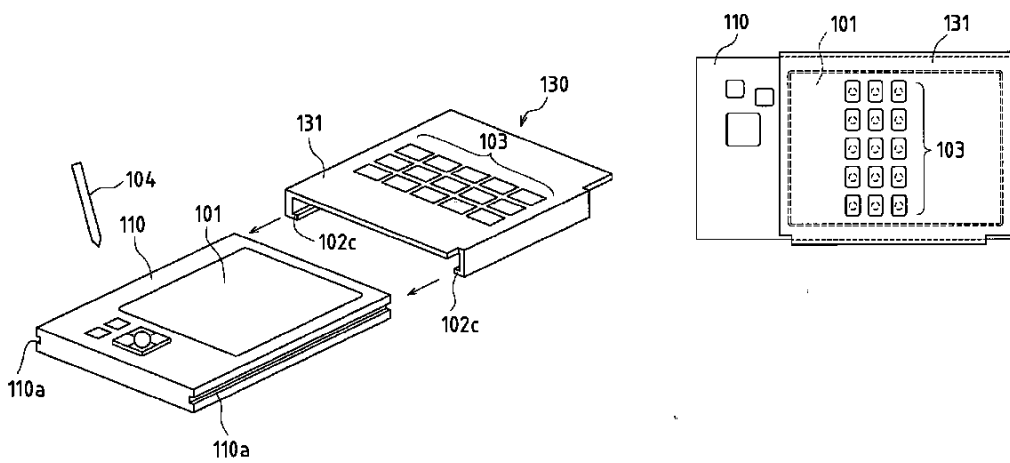
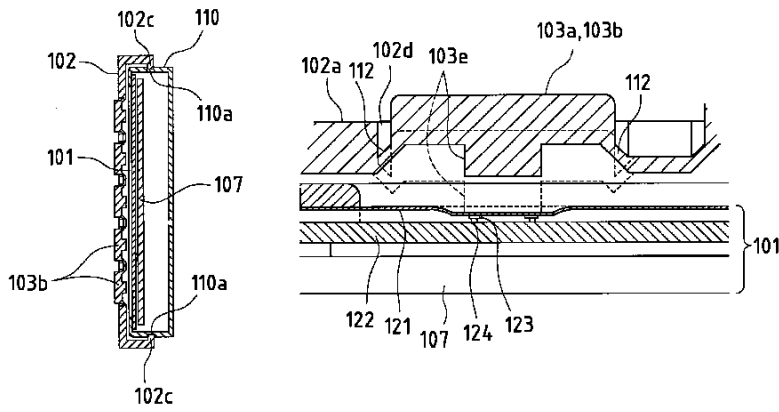
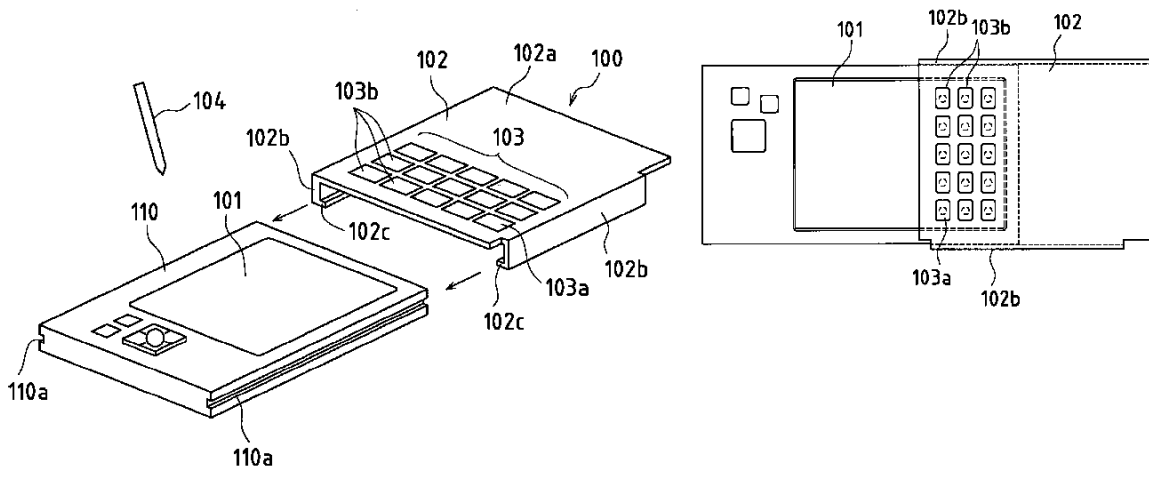
8

10

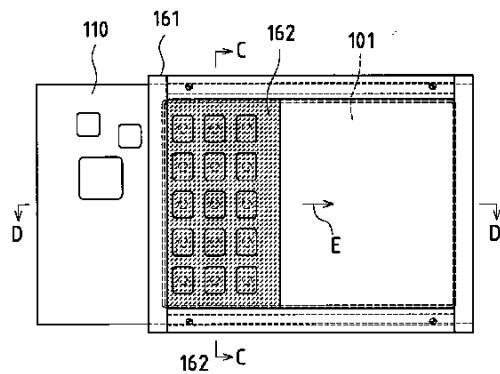
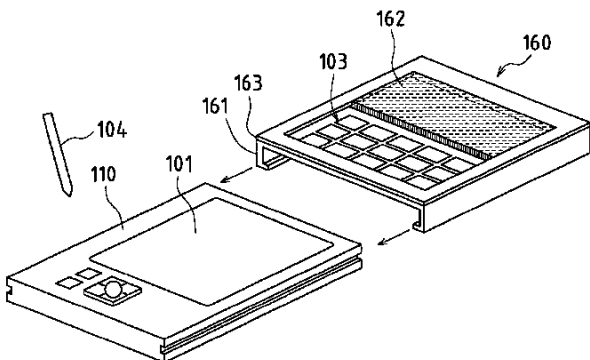
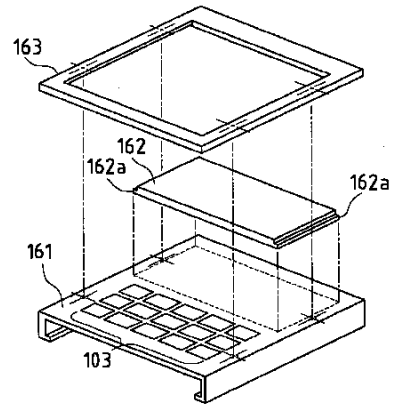
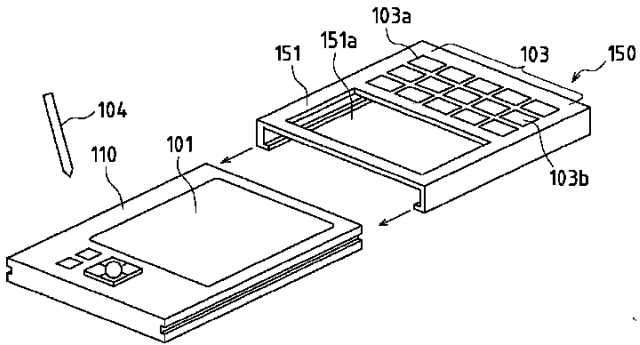
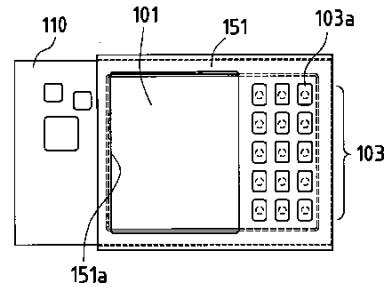
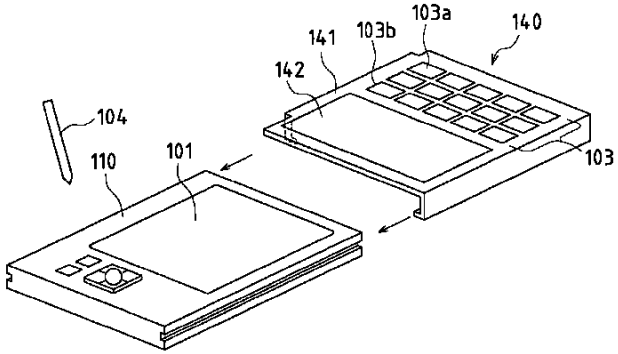
20

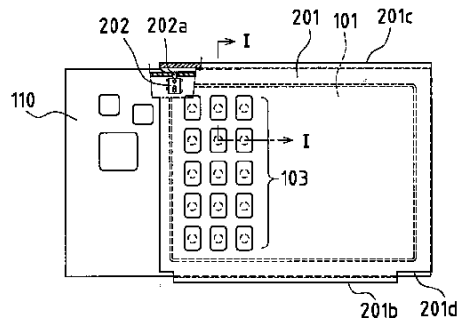
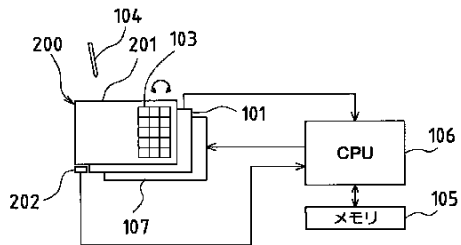
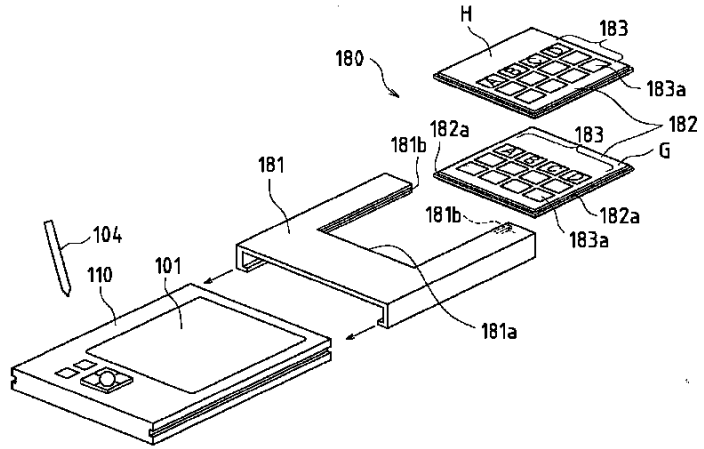
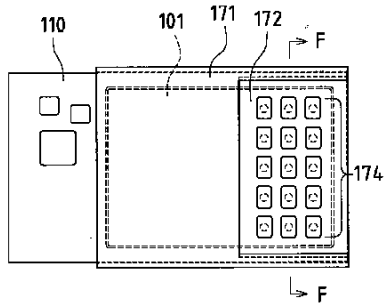
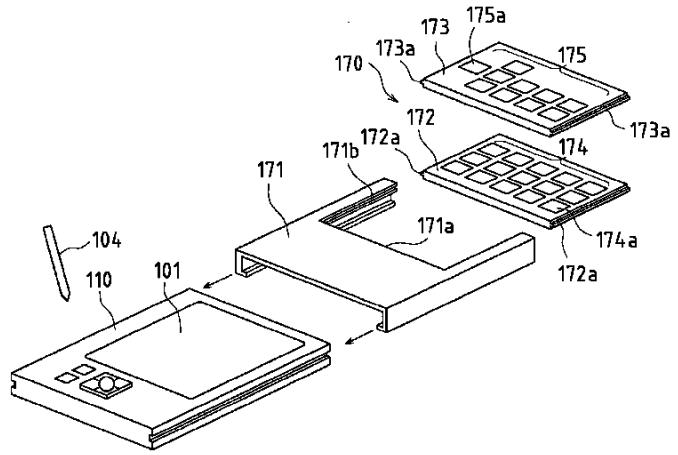
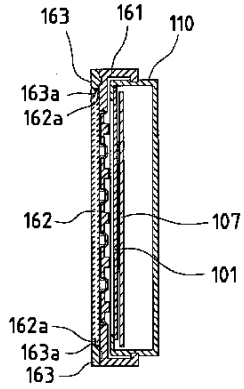


(10)

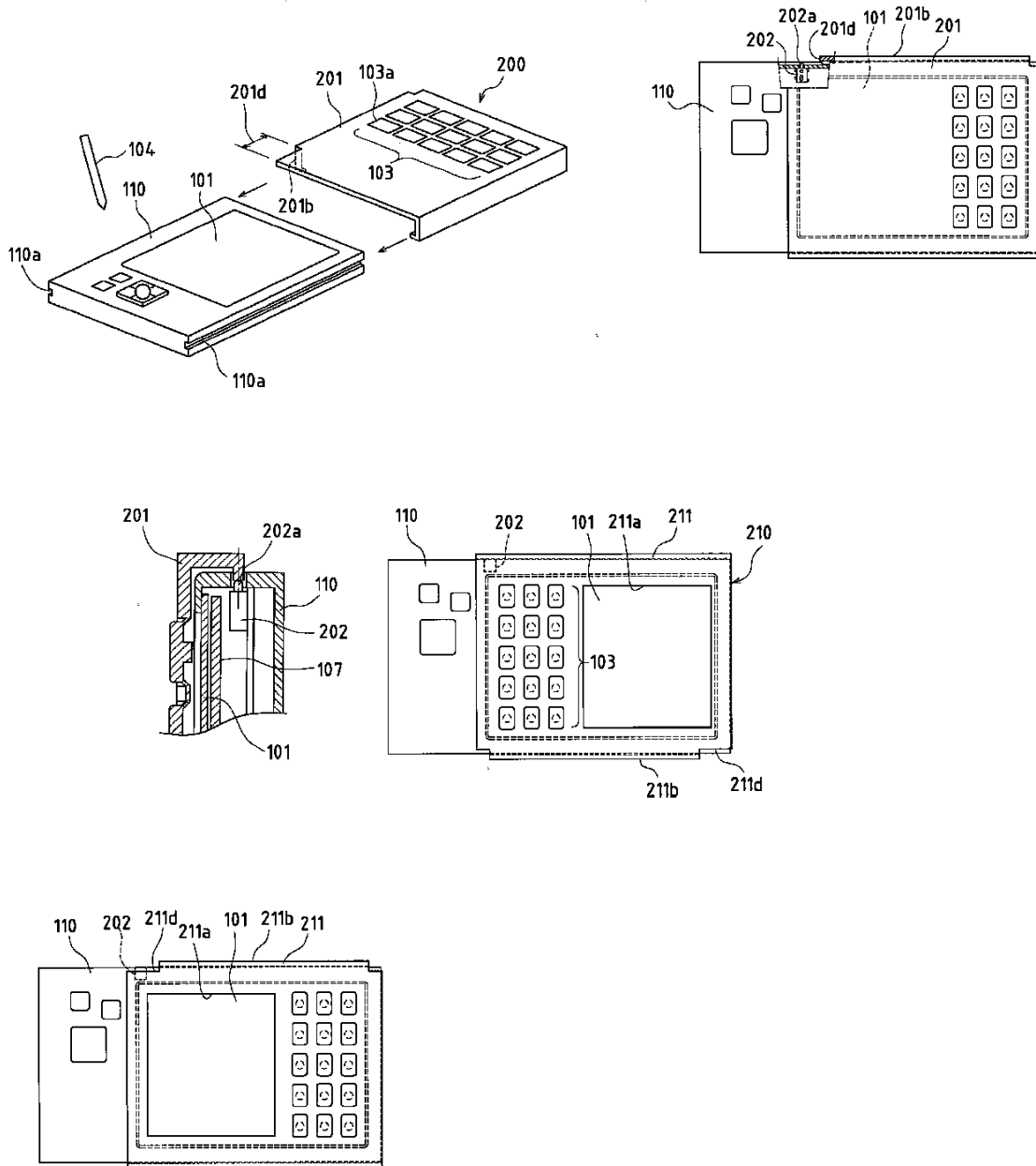


(11)





(13)



(51) Int. Cl. 7

3/023

1/00

テ-マ-ト (